

## Devices for non-mechanical opening of cables for measurement purposes

### Applications

Measuring links are devices that are connected into RF cable runs. Thus it is possible to open the cable run in an electrical (non-mechanical) way, allowing to measure into the cable in both directions. When closed (in its operating condition), the measuring link is a completely homogeneous, uniform section of the transmission line and does not affect the cut-off frequency of the transmission line system.

### Measuring Heads

To permit cable measurements to be performed, 3 measuring heads are available to each size of measuring links:

1. A measuring head allowing measurements to be taken in one of both directions with the cable section not measured being short-circuited.  
Connectors: 7-16 or N female.
2. A measuring head with 2 test connectors allows to measure in both cable directions.  
Connectors: 7-16 or N female.
3. A measurement head for cases where the measuring link is used for providing an emergency cable connection. Measuring heads of this type can be used to couple out the full incoming RF energy.

### Design Features

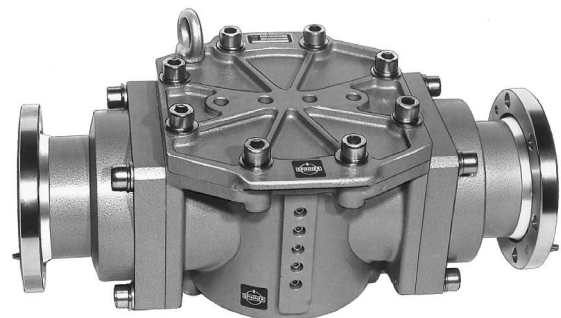
The measuring links are completely watertight and weatherproof. They are manufactured of red brass and are therefore resistant to corrosive environments of any nature.

The measuring links are available in versions with cable connections from 6 1/8" to 1 5/8" EIA-flange or connectors 13-30 and 7-16.

Technical details are available upon request.



Measuring link in a cable run



Measuring link with 3 1/8" EIA-flanges



Measuring link with 3 1/8" EIA-flanges and 7-16 measuring head

