

# Wide-band coaxial lightning protector

## PRC822S-7/16



Picture: PRC822S 716W/FF

Quarter-wave surge protection for coaxial antenna lines. This technology, also known as "Shorting stub", provides an excellent protection against any surges especially against lightning surges.

Because of their technology, they need no special maintenance and provide a very low residual voltage.

To achieve very low inter-modulation, these protectors are designed with a minimum of separate parts (minimum contacts) and the raw material and surface treatment are non-magnetic.

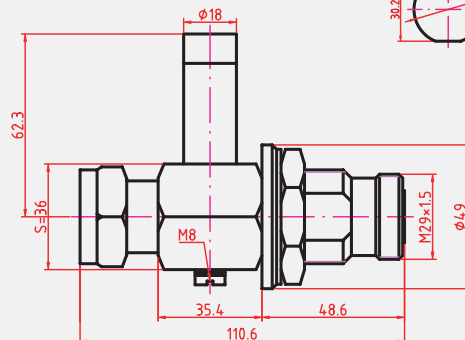
The PRC protector is tuned for a specific frequency range and so is not able to transmit DC supply.

- Wide band
- Very high discharge capacity
- Very low residual voltage
- Maintenance free
- Angled design available

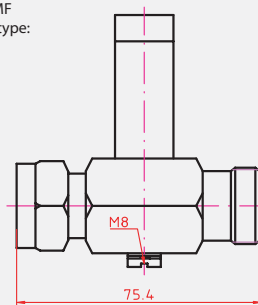
## Dimensions (in mm)

PRC822S-716W/MF  
Bulkhead type:

Dimensions of mounting hole:



PRC822S-716/MF  
Non-bulkhead type:



## Characteristics

<b>Product Configuration:</b>		
Main path connectors	DIN7/16(male) - DIN7/16(female)	
Weight	492g	
<b>Electrical Data:</b>		
Impedance	50 ohms	
Frequency range	800 MHz to 2200 MHz	
Return loss	>= 20 dB	
Insertion loss	≤ 0.15 dB	
RF power transmission	2500 W (MAX.)	
Intermodulation	≤ -150 dBc	
<b>Protection:</b>		
MAX. discharge current	100 kA (test pulse 8/20 μs)	
<b>Environmental data:</b>		
Waterproof degree	IP65 according to IEC 60529	
Operation temperature range	-40°C to +100°C	
<b>Material Data:</b>		
Housings	<b>Body:</b> Brass	<b>Plating:</b> Cu.Sn.Pb
Male contacts	Brass	Silver
Female contacts	CuBe2	Silver
Insulators	PTFE	-
Gaskets	Silicone rubber	-
<b>Mounting and grounding:</b>		
- Bulkhead mounting on grounding paintless plate, MH32, max. 15mm for wall thickness, M8 threaded hole (MH - mounting hole, M - screw).		
- Connection to equipotential network by wire (2.5mm <sup>2</sup> mini - shorter length).		